

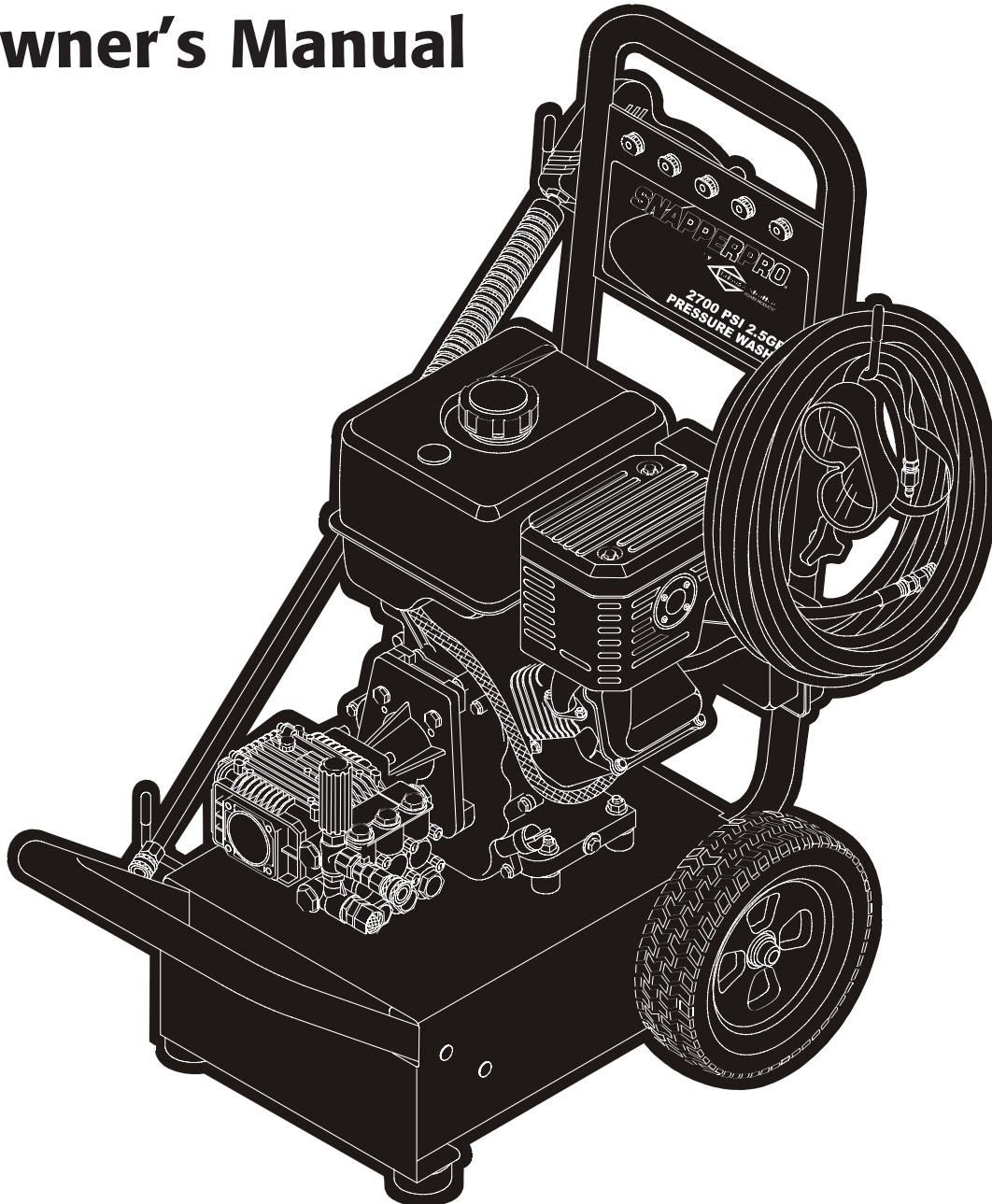
SNAPPERPRO™

by



2700PSI Pressure Washer

Owner's Manual



Questions? Help is just a moment away!

Contact the Local Snapper Service Center

Web: www.snapper.com or www.briggsandstratton.com

Model No. 1661-0 (2700 PSI Pressure Washer) Manual No. 190666GS Revision I (07/10/2002)



Snapper 2700 PSI Pressure Washer



SPECIFICATIONS

- Rated Pressure** 2700 PSI
- Flow Rate** 2.5 gallons per minute (gpm)
- Detergent** Use detergent approved for pressure washers
- Water Supply**
- Temperature** Not to exceed 100°F
- Automatic Cool Down System** Will cycle when water reaches 125°-155°F
- Shipping Weight** 122 lbs.

GENERAL MAINTENANCE RECOMMENDATIONS

The pressure washer warranty does not cover items that have been subjected to operator abuse or negligence. To receive full value from the warranty, the operator must maintain the pressure washer as instructed in this manual.

- Some adjustments will need to be made periodically to properly maintain your pressure washer.
- All maintenance in this manual and the engine owner’s manual should be made at least once each season.
- Once a year you should clean or replace the spark plug, clean or replace the air filter and check the spray gun and nozzle extension assembly for wear. A new spark plug and clean air filter assure proper fuel-air mixture and help your engine run better and last longer. Please refer to your engine owner’s manual for more details.

BEFORE EACH USE

- Check engine oil level.
- Check water inlet screen for damage.
- Check in-line filter for damage.
- Check high pressure hose for leaks.
- Check detergent siphoning tube and filter for damage.
- Check spray gun, nozzle extension, and nozzles for leaks.
- Rinse out garden hose to flush out debris.

PRESSURE WASHER MAINTENANCE

Check and Clean Inlet Screen

Examine the screen on the water inlet. Clean it if the screen is clogged or replace it if screen is damaged.

Check High Pressure Hose

The high pressure hose can develop leaks from wear, kinking, or abuse. Inspect the hose each time before using it. Check for cuts, leaks, abrasions or bulging of cover, damage or movement of couplings. If any of these conditions exist, replace the hose immediately.

WARNING! Never repair a high pressure hose. Replace it with another hose that exceeds the maximum pressure rating of your pressure washer.

Check Detergent Siphoning Tube

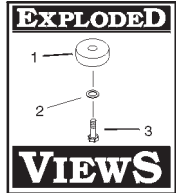
Examine the filter on the detergent tube and clean if clogged. The tube should fit tightly on the barbed fitting. Examine the tube for leaks or tears. Replace the filter or tube if either is damaged.

Cleaning Detergent Siphoning Tube

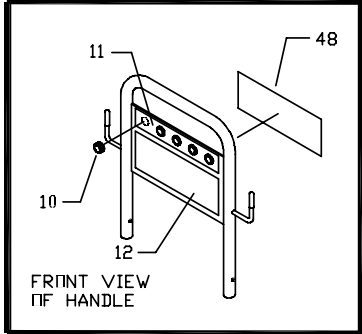
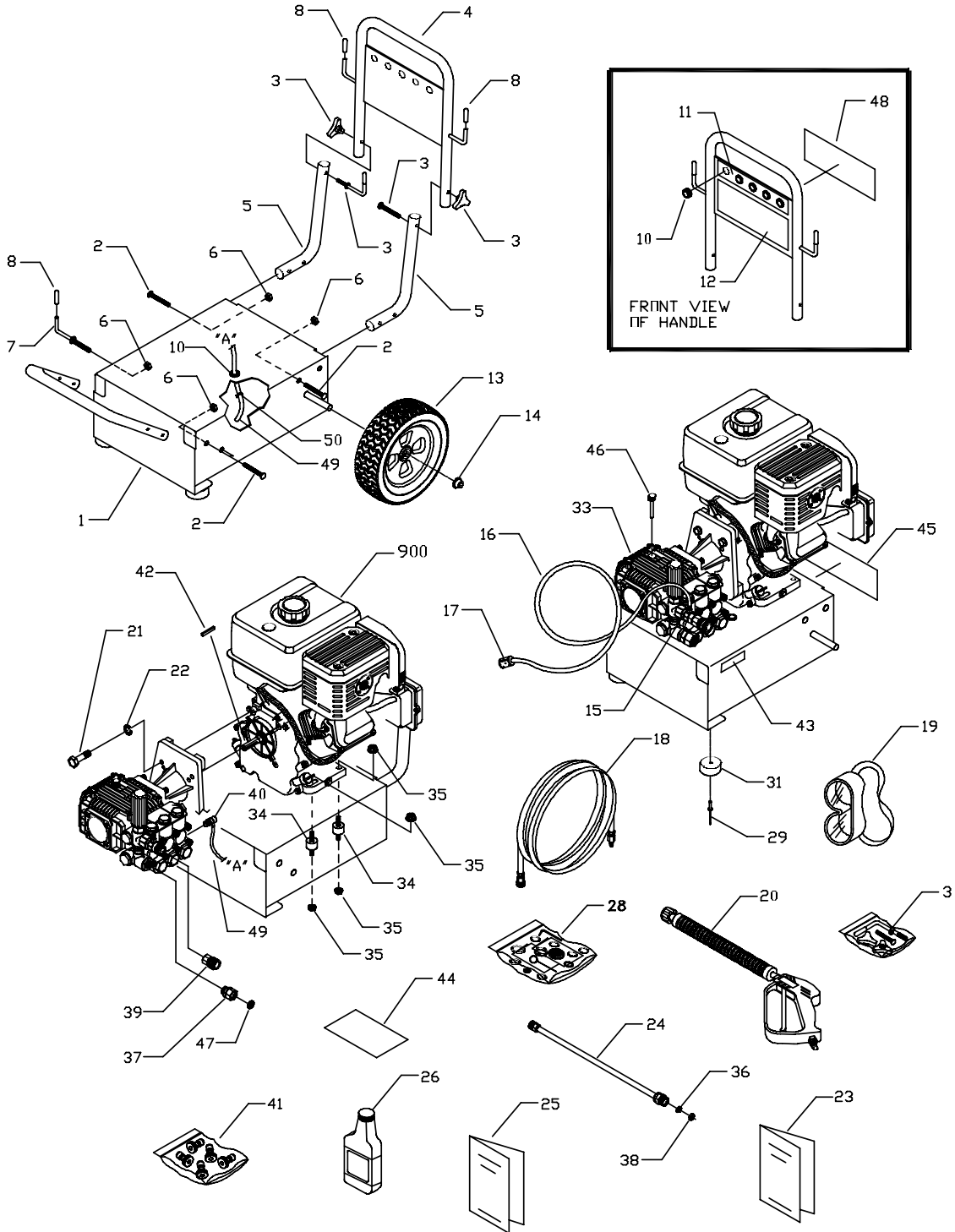
If you used the detergent siphoning tube, you must flush it with clean water before stopping the engine.

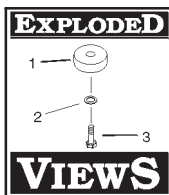
- Place the chemical injection siphon/filter in a bucket full of clean water.
- Attach the black low pressure nozzle.
- Flush for 1-2 minutes.
- Shut off the engine.

IMPORTANT: Simply shutting **OFF** engine will not release pressure in the system. **When the engine has shut down, squeeze the trigger on the spray gun to relieve the pressure in the hose.**



EXPLODED VIEW — UNIT



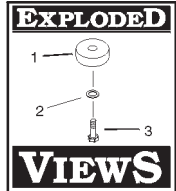


Snapper 2700 PSI Pressure Washer

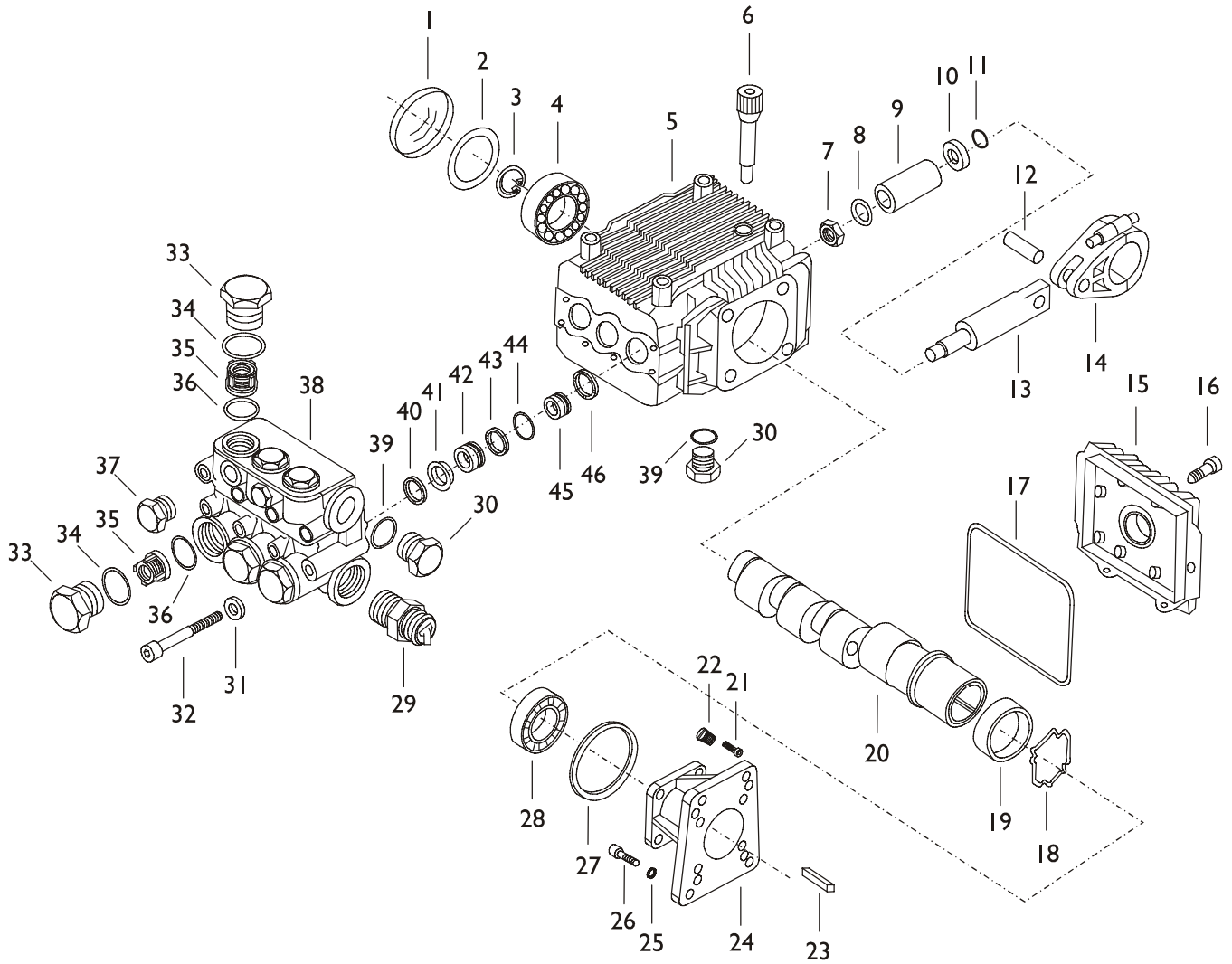


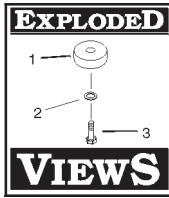
PARTS LIST — UNIT

Item	Part #	Qty.	Description
1	L190336GS	1	BASE
2	B2043GS	7	BOLT, Carriage
3	187978GS	1	KIT, Handle Hardware
4	C190293GS	1	HANDLE
5	CB1981GS	2	SUPPORT, Handle
6	99583GS	8	NUT, Hex Flange
7	B2150GS	1	HOOK, Square Neck Gun
8	B2516GS	3	CAP, Black Vinyl
9	CB1982GS	1	BUMPER
10	30809GS	6	GROMMET
11	187974AGS	1	DECAL, 5 QD Nozzles
12	190715GS	1	DECAL, Unit
13	190100GS	2	ASSY, Wheel
14	190146GS	2	PUSHNUT
15	48031GGS	1	CLAMP, Hose
16	A1040DGS	1	HOSE, Chemical Inject
17	A1041GS	1	FILTER, Chemical Hose
18	187625GS	1	HOSE
19	87815GS	1	GOGGLES, Safety
20	B1436BGS	1	GUN, with Molded Grip
21	23645GS	4	CAPSCREW, Socket Head
22	22237GS	4	WASHER, Lock
23	190666GS	1	MANUAL, Owners
24	B3858GS	1	ASSY, Wand Ext. with QD
25	MS632I	1	MANUAL, Engine
26	BB3061BGS	1	BOTTLE, Oil
28	190862GS	1	KIT, O-Ring Maintenance
29	188194GS	2	BLIND RIVET
31	191413GS	2	VIBE MOUNT, with Washer
33	B2126AGS	1	ASSY, PUMP (see pages 18-19)
34	21217GS	4	VIB MOUNT, Double Ended
35	67989GS	8	NUT, Flange
36	B4224GS	1	SCREEN, Gun Inlet
37	186839GS	1	INLET, Garden Hose
38	97837GS	1	O-RING, High Pressure Hose
39	95458GS	1	QUICK CONNECT
40	B1554GS	1	VALVE, Thermal Relief
41	186301GS	1	KIT, Nozzles QD
42	63281GS	1	KEY
43	187952GS	1	DECAL, Cool Down System
44	190277EGS	1	CARD, Owners Registration
45	190715GS	1	DECAL, PW, Snapper
46	11287628PGS	1	DIPSTICK, Pump
47	B2384GS	1	FILTER, Inlet
48	B4160GS	1	DECAL, Warning/Start
49	B3107GS	1	HOSE, Thermal Relief
50	48031BGS	2	CLAMP, Hose Band
900	NSP	1	ENGINE



EXPLODED VIEW — PUMP





Snapper 2700 PSI Pressure Washer

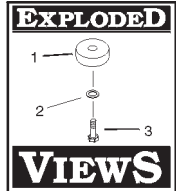


PARTS LIST — PUMP

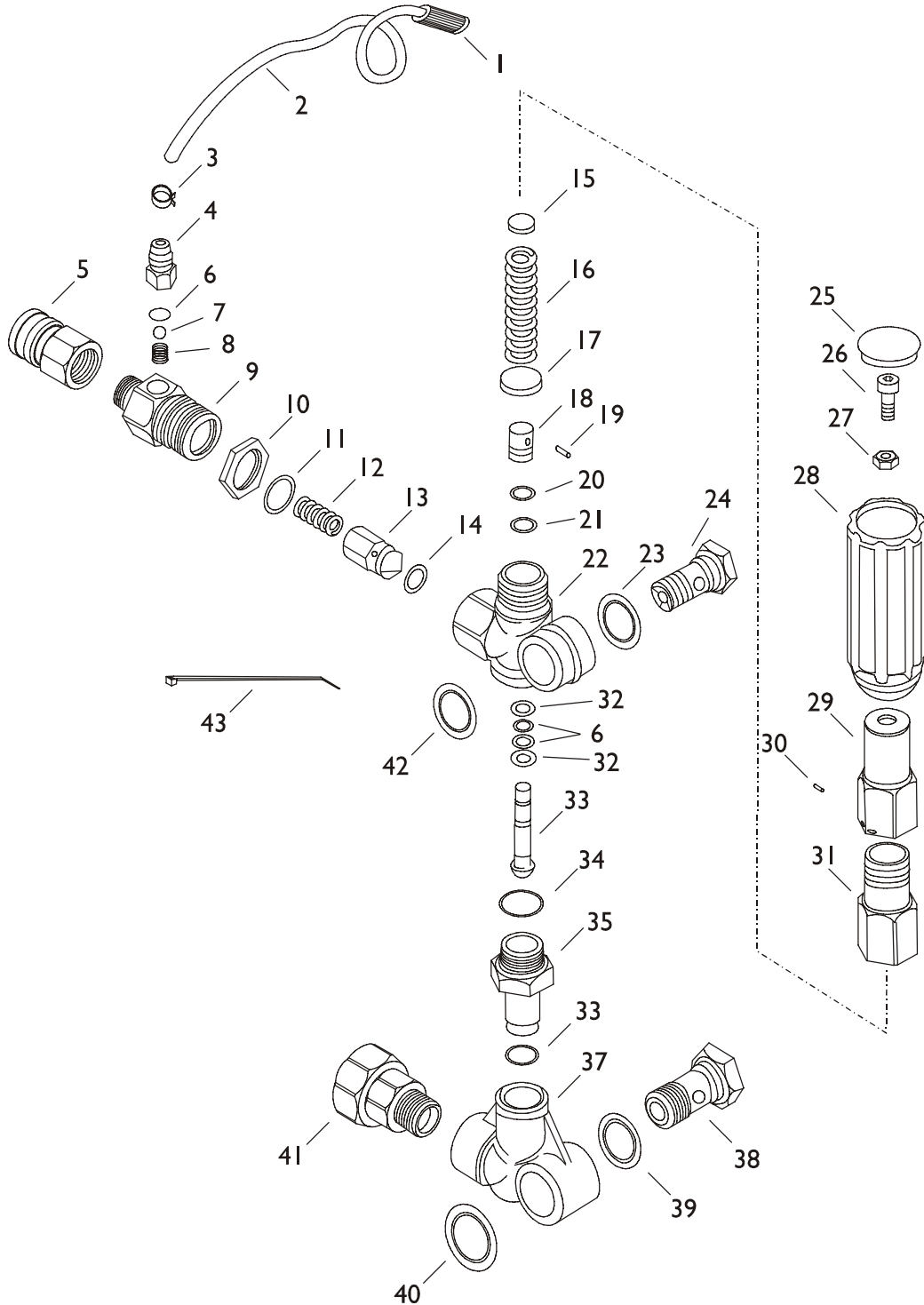
Item	Part #	Qty	Description	Item	Part #	Qty	Description
1	110B2126GS	1	Cap	24	150B2126GS	1	Gas Engine Flange
2	10887628PGS	1	Circlip	25	22237GS	4	Lckwshr, 3/8
3	112B2126GS	1	Snap Ring	26	23645GS	4	SHCS, 3/8-16 x 1.25
4	113B2126GS	1	Bearing	27	151B2126GS	1	Bushing
5	109B2126GS	1	Pump Body	28	12187822PGS	1	Seal
6	11287628PGS	1	Oil Cap/Dipstick	29	B1554GS	1	Valve, Thrmal Relief
7	11087822PGS	3	Nut	30	10487628PGS	2	Plug
8	11187822PGS	3	Piston Washer	31	137B2126GS	8	Washer
9	123B2126GS	3	Piston	32	10087822PGS	8	Screw
10	11687628PGS	3	Spacer Disc	33	102B2126GS	6	Plug
11	11587628PGS	3	O-Ring	34	10187822PGS	6	O-Ring
12	115B2126GS	3	Piston Pin	35	10287822PGS	6	Complete Valve
13	120B2126GS	3	Guiding Piston	36	10387822PGS	6	O-Ring
14	119B2126GS	3	Con Rod	37	11193360PGS	1	Plug
15	118B2126GS	1	Complete Rear Cover	38	136B2126GS	1	Head
16	117B2126GS	6	Screw	39	10387628PGS	2	O-Ring
17	116B2126GS	1	O-Ring	40	106B2126GS	3	Support Ring
18	12687628PGS	1	Snap Ring	41	10587822PGS	3	Gasket
19	12587628PGS	1	Bearing	42	108B2126GS	3	Piston Guide
20	149B2126GS	1	Hollow Shaft	43	10393360PGS	3	Gasket
21	155B2327GS	4	Screw	44	10493360PGS	3	O-Ring
22	152B2126GS	1	Grub Screw	45	131B2126GS	3	Rear Piston Guide
23	63281GS	1	Key, 1/4 sq x 2	46	16593360PGS	3	Seal

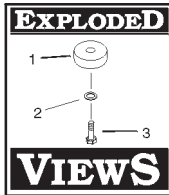
Service Kits:

A		B		C		D		E	
500-87628PGS Valve Kit		201-B2126GS Piston Kit		202-B2126GS Oil Seal Kit		203-B2126GS Water Seal Kit		204-B2126GS Support Ring Kit	
Item	Qty.	Item	Qty.	Item	Qty.	Item	Qty.	Item	Qty.
35	6	8	3	1	1	41	3	40	3
36	6			17	1	44	3		
				46	3				



EXPLODED VIEW — UNLOADER





Snapper 2700 PSI Pressure Washer



PARTS LIST — UNLOADER

Item	Part #	Qty	Description	Item	Part #	Qty	Description
0	153B2126GS	0	Complete Unloader	22	228B2327GS	1	Valve Housing
1	A1041GS	1	Filter, Chem	23	227B2327GS	1	Washer
2	A1040DGS	1	Hose, Chem	24	226B2327GS	1	Inlet Bolt
3	48031GGS	1	Clamp, Hose band	25	248B2327GS	1	Plug
4	210B2327GS	1	Hose Tail	26	155B2327GS	1	Screw
5	95458GS	1	Quick Disconnect	27	246B2327GS	1	Nut
6	231B2327GS	3	O-Ring	28	245B2327GS	1	Knob
7	211B2327GS	1	Stainless Ball	29	243B2327GS	1	Housing
8	212B2327GS	1	Spring	30	244B2327GS	1	Pin
9	186833GS	1	Injection Body	31	242B2327GS	1	Spring Guide
10	215B2327GS	1	Injector Nut	32	229B2327GS	2	Ring
11	137B2327GS	1	O-Ring	33	232B2327GS	1	Lower Piston
12	216B2327GS	1	Spring	34	234B2327GS	1	O-Ring
13	217B2327GS	1	Plunger	35	233B2327GS	1	Piston Guide
14	218B2327GS	1	O-Ring	36	235B2327GS	1	O-Ring
15	220B2327GS	1	Spacer Plate	37	238B2327GS	1	Bypass Fitting
16	221B2327GS	1	Spring	38	236B2327GS	1	Inlet Bolt
17	222B2327GS	1	Spring, Spacer Plate	39	237B2327GS	1	Washer
18	219B2327GS	1	Upper Piston	40	239B2327GS	1	Washer
19	223B2327GS	1	Pin	41	95320GS	1	Conn, Gdn Hse
20	224B2327GS	1	Ring	42	230B2327GS	1	Washer
21	225B2327GS	1	O-Ring	43	28739GS	1	Wrap, Tie

Service Kits:

250-B2327GS					
Item	Qty.	Item	Qty.	Item	Qty.
6	3	21	1	36	1
8	1	23	1	39	1
15	1	32	2	40	1
20	1	34	1	42	1